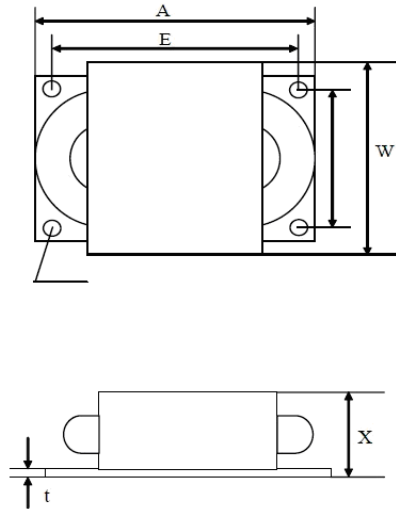


R-type Single Phase Transformer



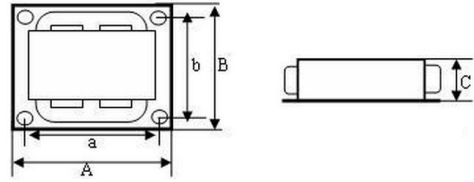
Specifications:

- Rated power: 0.25 to 60VA
- Small size, low weight, high efficiency
- Low level of radiated magnetic field
- Low induced noise
- Low iron loss
- Input: double 110V, 115V, 120V
- Work frequency: 50/60 Hz
- Insulation Class: UL class B
- Certification: CE/RoHS/CQC

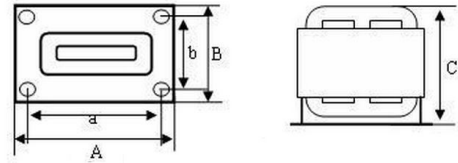
Model	Power (VA)	Dimensions(mm)			Mounting Dimensions(mm)				Weight (kg)
		A	W	X	E	F	G	T	
R-10	15	74	61	37	68.4	48	4*5	1.0	0.4
R-20	25	81	70	39	55	50	M3	1.0	0.5
R-30	40	96	77	42	70	60	Φ5	1.0	0.7
R-40	50	98	80	44	70	60	Φ5	1.0	0.9
R-50	60	101	92	48	75	65	Φ5	1.0	1.0
R-80	100	124	90	52	90	70	Φ5	1.2	1.4
R-100	120	124	103	55	100	80	Φ5	1.2	1.7
R-160	180	138	115	63	100	85	Φ5	1.6	2.6
R-260	280	156	121	66	130	95	Φ5	1.6	3.1
R-320	380	163	128	70	135	95	Φ5	1.6	3.8
R-600	600	182	145	85	142	100	Φ8	1.6	6.5
R-1000	1000	222	172	99	180	140	Φ8	2.6	10.5

◆ We can design and manufacture customized part with specific requirement

R-type Three Phase Transformer



Horizontal



Vertical

Specifications:

- Rated power: 750VA to 100KVA
- High efficiency
- Low level of radiated magnetic field
- Insulation Class: UL class B
- Certification: CE/RoHS/CQC

Model	Form	Dimensions (mm)			Installation (mm)			Weight (kg)
		A	B	C				
SR750	Vertical	220	120	210	180	80	4×Φ6	10
SR2K	Vertical	310	132	305	274	84	4×Φ7	16.5
	Horizontal	310	250	110	274	230	4×Φ7	16.5
SR3K	Vertical	315	118	326	280	88	4×Φ7	23.5
	Horizontal	315	280	120	280	185	4×Φ7	23.5
SR3.6K	Vertical	315	120	330	273	100	4×Φ7	27
	Horizontal	315	245	184	273	225	4×Φ7	27
SR5K	Vertical	360	144	340	330	105	4×Φ9	42
	Horizontal	360	253	220	300	231	4×Φ9	42
SR7.5K	Vertical	388	160	384	313	117	4×Φ9	64
	Horizontal	388	349	226	313	117	4×Φ9	64
SR10K	Vertical	410	167	416	310	122	4×Φ11	68
	Horizontal	410	167	223	300	342	4×Φ11	68
SR15K	Vertical	465	160	455	380	124	4×Φ13	96
	Horizontal	465	465	270	440	400	4×Φ13	96
SR20K	Vertical	543	172	462	470	132	4×Φ13	125
	Horizontal	540	470	280	440	400	4×Φ13	125
SR30K	Vertical	618	177	483	558	137	4×Φ13	185
	Horizontal	618	450	320	538	425	4×Φ13	185
SR50K	Vertical	643	200	565	400	160	4×Φ13	240
	Horizontal	643	526	320	400	470	4×Φ13	240
SR63K	Vertical	700	280	620	550	160	4×Φ13	290
SR80K	Vertical	750	240	700	650	165	4×Φ13	320
	Horizontal	750	560	402	600	500	4×Φ13	320
SR100K	Vertical	780	300	680	600	160	4×Φ13	350

◆ We can design and manufacture customized part with specific requirement