

Sendust Core Toroidal Inductor

● Product Features:

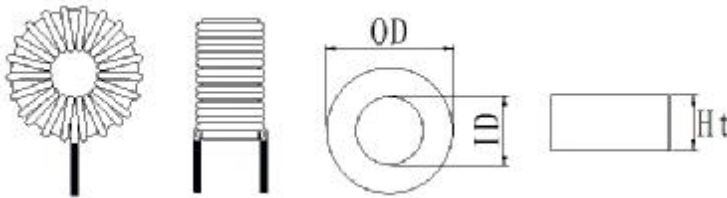
- Operating frequency: 8 KHz-1MHz
- Output Power: 0.05 to 3000 W
- Working temperature: -40 °C to +200 °C
- Storage temperature: -25 °C to +85 °C
- Storage Humidity: 30 to 95%
- Saturation magnetic induction: 1.05T
- Permeability: 26 ~ 125
- No noise, high cost

● Applications:

- AC inductor
- Output inductor
- Line filter
- Power factor correction circuit
- Replace Iron core transformer



● Outline Dimensions:



● Detailed parameters:

| Sendust | | | Perm | | | | |
|---------|-------|-------|----------|----------|----------|----------|----------|
| OD mm | ID mm | HT mm | 26 | 60 | 75 | 90 | 125 |
| 3.56 | 1.78 | 1.52 | | CS035060 | CS035075 | CS035090 | CS035125 |
| 3.94 | 2.24 | 2.54 | | CS039060 | CS039075 | CS039090 | CS039125 |
| 4.65 | 2.36 | 2.54 | | CS046060 | CS046075 | CS046090 | CS046125 |
| 6.35 | 2.79 | 2.79 | | CS063060 | CS063075 | CS063090 | CS063125 |
| 6.60 | 2.67 | 2.54 | | CS066060 | CS066075 | CS066090 | CS066125 |
| 6.60 | 2.67 | 4.78 | | CS067060 | CS067075 | CS067090 | CS067125 |
| 6.86 | 3.96 | 5.08 | | CS068060 | CS068075 | CS068090 | CS068125 |
| 7.87 | 3.96 | 3.18 | | CS078060 | CS078075 | CS078090 | CS078125 |
| 9.65 | 4.78 | 3.18 | | CS096060 | CS096075 | CS096090 | CS096125 |
| 9.65 | 4.78 | 3.96 | | CS097060 | CS097075 | CS097090 | CS097125 |
| 10.2 | 5.08 | 3.96 | | CS102060 | CS102075 | CS102090 | CS102125 |
| 11.2 | 6.35 | 3.96 | CS112026 | CS112060 | CS112075 | CS112090 | CS112125 |
| 12.7 | 7.62 | 4.75 | CS127026 | CS127060 | CS127075 | CS127090 | CS127125 |
| 16.5 | 10.2 | 6.35 | CS166026 | CS166060 | CS166075 | CS166090 | CS166125 |
| 17.3 | 9.65 | 6.35 | CS172026 | CS172060 | CS172075 | CS172090 | CS172125 |
| 20.3 | 12.7 | 6.35 | CS203026 | CS203060 | CS203075 | CS203090 | CS203125 |
| 22.9 | 14.0 | 7.62 | CS229026 | CS229060 | CS229075 | CS229090 | CS229125 |
| 23.6 | 14.4 | 8.89 | CS234026 | CS234060 | CS234075 | CS234090 | CS234125 |

| Sendust | | | Perm | | | | |
|---------|-------|-------|-----------|-----------|----------|----------|-----------|
| OD mm | ID mm | HT mm | 26 | 60 | 75 | 90 | 125 |
| 26.9 | 14.7 | 11.2 | CS270026 | CS270060 | CS270075 | CS270090 | CS270125 |
| 33.0 | 19.9 | 10.7 | CS330026 | CS330060 | CS330075 | CS330090 | CS330125 |
| 34.3 | 23.4 | 8.89 | CS343026 | CS343060 | CS343075 | CS343090 | CS343125 |
| 35.8 | 22.4 | 10.5 | CS358026 | CS358060 | CS358075 | CS358090 | CS358125 |
| 39.9 | 24.1 | 14.5 | CS400026 | CS400060 | CS400075 | CS400090 | CS400125 |
| 46.7 | 24.1 | 18.0 | CS467026 | CS467060 | CS467075 | CS467090 | CS467125 |
| 46.7 | 28.7 | 15.2 | CS468026 | CS468060 | CS468075 | CS468090 | CS468125 |
| 50.8 | 31.8 | 13.5 | CS508026 | CS508060 | CS508075 | CS508090 | CS508125 |
| 57.2 | 26.4 | 15.2 | CS571026 | CS571060 | CS571075 | CS571090 | CS571125 |
| 57.2 | 35.6 | 14.0 | CS572026 | CS572060 | CS572075 | CS572090 | CS572125 |
| 62.0 | 32.6 | 25.0 | CS610026 | CS610060 | CS610075 | CS610090 | CS610125 |
| 74.1 | 45.3 | 35.0 | CS740026 | CS740060 | CS740075 | CS740090 | CS740125 |
| 77.8 | 49.2 | 12.7 | CS777026 | CS777060 | CS777075 | CS777090 | CS777125 |
| 77.8 | 49.2 | 15.9 | CS778026 | CS778060 | CS778075 | CS778090 | CS778125 |
| 88.9 | 66.0 | 15.9 | CS888026 | CS888060 | CS888075 | CS888090 | CS888125 |
| 101.6 | 57.2 | 16.5 | CS1016026 | CS1016060 | | | CS1016125 |
| 132.5 | 78.6 | 25.4 | CS1325026 | CS1326060 | | | CS1325125 |
| 165.0 | 88.9 | 25.4 | CS1625026 | CS1625060 | | | CS1625125 |

◆ We can design and manufacture customized part with specific requirement

High Flux Core Toroidal Inductor

● Product Features:

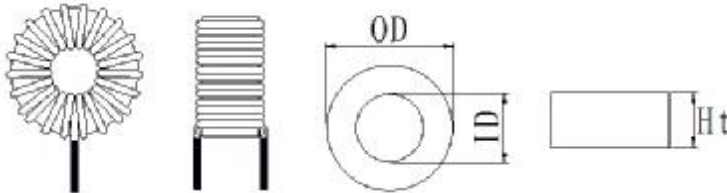
- Operating frequency: 8 KHz-1MHz
- Output Power: 1 to 3000 W
- Working temperature: -40 °C to +200 °C
- Storage temperature: -25 °C to +85 °C
- Storage Humidity: 30 to 95%
- Saturation magnetic induction: 1.5T
- Permeability: 14 ~ 160
- No noise, high cost

● Applications:

- High power transformers
- High frequency transformers
- Pulse transformers
- Switching power supplies
- Choke coils
- Current transformers
- Common mode inductors
- Reactors



● Outline Dimensions:



● Detailed parameters:

| High Flux | | | Perm | | | | |
|-----------|-------|-------|----------|----------|----------|----------|----------|
| OD mm | ID mm | HT mm | 26 | 60 | 125 | 147 | 160 |
| 3.56 | 1.78 | 1.52 | | CH035060 | CH035125 | | |
| 3.94 | 2.24 | 2.54 | | CH039060 | CH039125 | | |
| 4.65 | 2.36 | 2.54 | | CH046060 | CH046125 | | |
| 6.35 | 2.79 | 2.79 | | CH063060 | CH063125 | CH063147 | CH063160 |
| 6.60 | 2.67 | 2.54 | CH066026 | CH066060 | CH066125 | CH066147 | CH066160 |
| 6.60 | 2.67 | 4.78 | CH067026 | CH067060 | CH067125 | CH067147 | CH067160 |
| 6.86 | 3.96 | 5.08 | CH068026 | CH068060 | CH068125 | CH068147 | CH068160 |
| 7.87 | 3.96 | 3.18 | CH078026 | CH078060 | CH078125 | CH078147 | CH078160 |
| 9.65 | 4.78 | 3.18 | CH096026 | CH096060 | CH096125 | CH096147 | CH096160 |
| 9.65 | 4.78 | 3.96 | CH097026 | CH097060 | CH097125 | CH097147 | CH097160 |
| 10.2 | 5.08 | 3.96 | CH102026 | CH102060 | CH102125 | CH102147 | CH102160 |
| 11.2 | 6.35 | 3.96 | CH112026 | CH112060 | CH112125 | CH112147 | CH112160 |
| 12.7 | 7.62 | 4.75 | CH127026 | CH127060 | CH127125 | CH127147 | CH127160 |
| 16.5 | 10.2 | 6.35 | CH166026 | CH166060 | CH166125 | CH166147 | CH166160 |
| 17.3 | 9.65 | 6.35 | CH172026 | CH172060 | CH172125 | CH172147 | CH172160 |
| 20.3 | 12.7 | 6.35 | CH203026 | CH203060 | CH203125 | CH203147 | CH203160 |
| 22.9 | 14.0 | 7.62 | CH229026 | CH229060 | CH229125 | CH229147 | CH229160 |
| 23.6 | 14.4 | 8.89 | CH234026 | CH234060 | CH234125 | CH234147 | CH234160 |
| 26.9 | 14.7 | 11.2 | CH270026 | CH270060 | CH270125 | CH270147 | CH270160 |
| 33.0 | 19.9 | 10.7 | CH330026 | CH330060 | CH330125 | CH330147 | CH330160 |

| High Flux | | | Perm | | | | |
|-----------|-------|-------|-----------|-----------|-----------|----------|----------|
| OD mm | ID mm | HT mm | 26 | 60 | 125 | 147 | 160 |
| 34.3 | 23.4 | 8.89 | CH343026 | CH343060 | CH343125 | CH343147 | CH343160 |
| 35.8 | 22.4 | 10.5 | CH358026 | CH358060 | CH358125 | CH358147 | CH358160 |
| 39.9 | 24.1 | 14.5 | CH400026 | CH400060 | CH400125 | CH400147 | CH400160 |
| 46.7 | 24.1 | 18.0 | CH467026 | CH467060 | CH467125 | | |
| 46.7 | 28.7 | 15.2 | CH468026 | CH468060 | CH468125 | | |
| 50.8 | 31.8 | 13.5 | CH508026 | CH508060 | CH508125 | | |
| 57.2 | 26.4 | 15.2 | CH571026 | CH571060 | CH571125 | | |
| 57.2 | 35.6 | 14.0 | CH572026 | CH572060 | CH572125 | | |
| 62.0 | 32.6 | 25.0 | CH610026 | CH610060 | CH610125 | | |
| 74.1 | 45.3 | 35.0 | CH740026 | CH740060 | CH740125 | | |
| 77.8 | 49.2 | 12.7 | CH777026 | CH777060 | CH777125 | | |
| 77.8 | 49.2 | 15.9 | CH778026 | CH778060 | CH778125 | | |
| 88.9 | 66.0 | 15.9 | CH888026 | CH888060 | CH888125 | | |
| 101.6 | 57.2 | 16.5 | CH1016026 | CH1016060 | CH1016125 | | |
| 132.5 | 78.6 | 25.4 | CH1325026 | CH1325060 | CH1325125 | | |
| 165.0 | 88.9 | 25.4 | CH1625026 | CH1625060 | CH1625125 | | |

◆ We can design and manufacture customized part with specific requirement

Amorphous Core Toroidal Inductor

● Product Features:

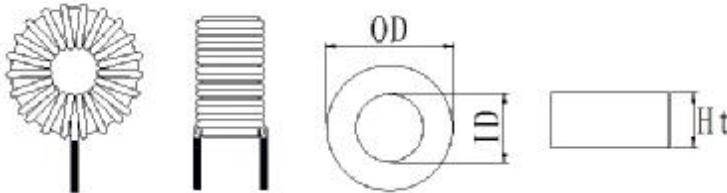
- Operating frequency: 60Hz-50kHz
- Output Power: 1 to 30000 W
- Working temperature: -40 °C to + 200 °C
- Storage temperature: -25 °C to + 85 °C
- Storage Humidity: 30 to 95%
- Saturation magnetic induction: 1.4~1.7T
- Excellent magnetic properties
- No noise, high cost

● Applications:

- High power transformers
- High frequency transformers
- Pulse transformers
- Switching power supplies
- Choke coils
- Current transformers
- Common mode inductors
- Reactors



● Outline Dimensions:



● Detailed parameters:

| Core Size | | | Jacket Size | | | Le (mm) | Ae (mm ²) | W (mm ²) | Φ (uwb) |
|-----------|-------|-------|-------------|-------|-------|------------|--------------------------|-------------------------|------------|
| OD mm | ID mm | HT mm | OD mm | ID mm | HT mm | | | | |
| 10.0 | 7.3 | 4.5 | 12.4 | 5.3 | 6.7 | 27.1 | 4.62 | 22.06 | 5.77 |
| 11.5 | 8.7 | 4.5 | 14.4 | 6.4 | 7.0 | 37.1 | 4.79 | 32.17 | 5.99 |
| 13.4 | 10.0 | 4.0 | 15.7 | 8.0 | 6.0 | 36.7 | 5.17 | 50.27 | 6.46 |
| 14.0 | 10.0 | 4.5 | 15.5 | 8.4 | 7.0 | 37.6 | 6.84 | 55.4 | 8.55 |
| 14.8 | 10.2 | 4.5 | 17.6 | 8.6 | 6.8 | 39.2 | 7.87 | 58.0 | 9.83 |
| 16.0 | 10.0 | 6.0 | 18.9 | 7.7 | 8.5 | 40.8 | 13.6 | 46.5 | 17.1 |
| 18.5 | 13.0 | 5.0 | 21.3 | 10.7 | 7.0 | 49.4 | 10.4 | 89.9 | 13.0 |
| 20.0 | 12.5 | 8.0 | 22.5 | 10.2 | 10.2 | 51.0 | 22.8 | 81.7 | 28.5 |
| 25.0 | 20.0 | 10.0 | 27.8 | 17.0 | 13.2 | 70.6 | 19.0 | 226.9 | 23.7 |
| 30.0 | 20.0 | 10.0 | 33.0 | 18.2 | 13.1 | 78.5 | 38.0 | 260.0 | 47.5 |
| 40.0 | 25.0 | 10.0 | 43.3 | 22.4 | 13.7 | 102.1 | 57.0 | 394.0 | 71.2 |
| 40.0 | 25.0 | 15.0 | 44.0 | 21.4 | 18.8 | 102.1 | 85.5 | 359.6 | 106.8 |
| 40.0 | 32.0 | 15.0 | 44.2 | 29.3 | 18.8 | 113.1 | 48 | 674.2 | 57.0 |
| 50.0 | 40.0 | 20.0 | 53.3 | 37.1 | 23.0 | 141.3 | 76.0 | 1081 | 95.0 |
| 65.0 | 50.0 | 25.0 | 68.1 | 46.4 | 28.7 | 180.6 | 142.5 | 1690.9 | 178.1 |
| 80.0 | 50.0 | 20.0 | 84.0 | 47.0 | 24.5 | 204.0 | 228.0 | 1734.9 | 285.0 |

◆ We can design and manufacture customized part with specific requirement

Magnetic Powder Core Toroidal Inductor

● Product Features:

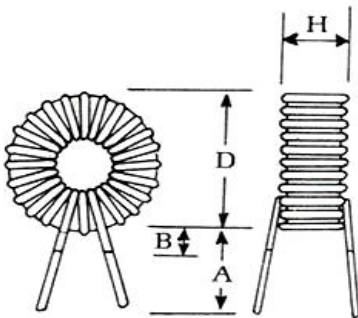
- Operating frequency: 20kHz-500kHz
- Output Power: 0.05 to 3000 W
- Working temperature: -40 °C to +200 °C
- Storage temperature: -25 °C to +85 °C
- Storage Humidity: 30 to 95%
- Copper wire wound around the coil
- Excellent magnetic properties
- Cost design

● Applications:

- Power line filters
- Normal mode choke
- ADSL transformers
- Switching power supplies
- Choke coils
- Current transformers
- Common mode inductors
- Reactors



● Outline Dimensions:



● Detailed parameters:

| Model | D (Max) | H (Max) | A (Max) | B (Max) | Rated Current | Inductance |
|-------|---------|---------|---------|---------|---------------|------------|
| 2026 | 8.0mm | 4.5mm | 25.0mm | 1.5mm | 0.1-0.5A | 5uH-27uH |
| 3026 | 12.0mm | 7.0mm | 25.0mm | 1.5mm | 0.5-2.0A | 10uH-14uH |
| 5026 | 18.0mm | 10.0mm | 25.0mm | 1.5mm | 1.0-3.0A | 20uH-68uH |
| 6826 | 24.0mm | 10.5mm | 25.0mm | 1.5mm | 1.0-5.0A | 25uH-500uH |
| 8026 | 26.5mm | 11.5mm | 25.0mm | 2.0mm | 3.0-5.0A | 50uH-960uH |
| 10626 | 36.0mm | 19.5mm | 25.0mm | 2.5mm | 2.0-10.0A | 30uH-850uH |
| 13026 | 42.0mm | 21.5mm | 25.0mm | 2.5mm | 2.0-10.0A | 30uH-950uH |

Inductance tolerance: +5%; +10%; +20%

◆ We can design and manufacture customized part with specific requirement

TC Inductors: Physical and electrical performance parameters

| Part NO. | L (μH) | IDC(A) (Max) | DCR(Ω) (Max) | Size A(mm) | Size D(mm) | Part NO. | L (μH) | IDC(A) (Max) | DCR(Ω) (Max) | Size A(mm) | Size D(mm) |
|-----------|--------|--------------|--------------|------------|------------|-----------|--------|--------------|--------------|------------|------------|
| 2026-5R0M | 5 | 0.5 | 0.007 | 7.5 | 4.5 | 8026-500M | 50 | 5 | 0.022 | 12 | 14.2 |
| 2026-9R0M | 9 | 0.3 | 0.011 | 8.0 | 4.5 | 8026-600M | 60 | 4 | 0.030 | 11.5 | 13.7 |
| 2026-150M | 15 | 0.5 | 0.070 | 7.5 | 4.5 | 8026-820M | 82 | 3 | 0.042 | 10.5 | 13 |
| 2026-200M | 20 | 0.2 | 0.198 | 7.5 | 4.0 | 8026-101M | 100 | 5 | 0.033 | 12.5 | 16.8 |

| | | | | | | | | | | | |
|------------|-----|-----|-------|------|------|------------|------|----|-------|------|------|
| 2026-270M | 27 | 0.3 | 0.031 | 8.0 | 4.5 | 8026-151M | 150 | 5 | 0.042 | 13.5 | 18 |
| 3026-100M | 10 | 2.0 | 0.017 | 12 | 7.0 | 8026-221M | 220 | 4 | 0.059 | 13 | 17.9 |
| 3026-120M | 12 | 1.0 | 0.040 | 10.5 | 6.0 | 8026-271M | 270 | 3 | 0.081 | 12 | 16.6 |
| 3026-320M | 32 | 1.0 | 0.065 | 12 | 7.0 | 8026-321M | 320 | 2 | 0.131 | 10.5 | 14 |
| 3026-370M | 37 | 0.5 | 0.134 | 10 | 5.5 | 8026-431M | 430 | 2 | 0.150 | 11 | 15 |
| 3026-141M | 140 | 0.5 | 0.265 | 10 | 6.0 | 8026-961M | 960 | 1 | 0.438 | 11 | 13 |
| 3726-8R2M- | 8.2 | 2.0 | 0.017 | 14.5 | 7.0 | 9026-900M | 90 | 5 | 0.034 | 28.0 | 14.5 |
| 3726-220M | 22 | 2.0 | 0.030 | 14.5 | 7.5 | 9026-141M | 140 | 3 | 0.082 | 29.0 | 13.0 |
| 3726-240M | 24 | 1.0 | 0.055 | 13.5 | 6.0 | 9026-201M | 200 | 2 | 0.114 | 28.5 | 13.0 |
| 3726-560M | 56 | 0.5 | 0.181 | 12.5 | 5.5 | 9026-321M | 320 | 5 | 0.068 | 29.0 | 16.0 |
| 3726-680M | 68 | 1.0 | 0.095 | 13.5 | 6.5 | 9026-451M | 450 | 2 | 0.174 | 29.0 | 14.0 |
| 3726-241M | 240 | 0.5 | 0.360 | 13 | 6.5 | 9026-471M | 470 | 1 | 0.354 | 26.5 | 13.0 |
| 4426-150M | 15 | 2.0 | 0.023 | 15.5 | 7.5 | 9026-182M | 1800 | 1 | 0.680 | 27.5 | 14.0 |
| 4426-430M | 43 | 1.0 | 0.074 | 14.5 | 7.0 | 9426-820M | 82 | 5 | 0.033 | 31.0 | 15.5 |
| 4426-680M | 68 | 2.0 | 0.056 | 15.5 | 9.0 | 9426-101M | 100 | 4 | 0.042 | 29.5 | 13.5 |
| 4426-111M | 110 | 0.5 | 0.250 | 14 | 6.5 | 9426-131M | 130 | 3 | 0.061 | 29.0 | 13.0 |
| 4426-141M | 140 | 1.0 | 0.140 | 15 | 7.5 | 9426-221M | 220 | 2 | 0.121 | 28.5 | 12.0 |
| 4426-361M | 360 | 0.5 | 0.460 | 14.5 | 7.5 | 9426-301M | 300 | 5 | 0.064 | 30.0 | 15.5 |
| 5026-200M | 20 | 3.0 | 0.021 | 17.5 | 9.0 | 9426-391M | 390 | 4 | 0.088 | 29.5 | 15.0 |
| 5026-300M | 30 | 2.0 | 0.035 | 17 | 8.5 | 9426-471M | 470 | 1 | 0.342 | 27.5 | 11.5 |
| 5026-600M | 60 | 3.0 | 0.038 | 18 | 10.0 | 9426-501M | 500 | 3 | 0.124 | 31.0 | 14.5 |
| 5026-680M | 68 | 1.0 | 0.101 | 16 | 7.5 | 9426-781M | 780 | 2 | 0.220 | 30.0 | 13.5 |
| 5026-101M | 100 | 2.0 | 0.081 | 17 | 9.5 | 9426-132M | 1300 | 1 | 0.585 | 28.5 | 12.5 |
| 5026-221M | 220 | 1.0 | 0.190 | 16.5 | 8.0 | 10626-300M | 30 | 10 | 0.009 | 36.0 | 19.5 |
| 6026-220M | 22 | 5 | 0.014 | 21.5 | 11.5 | 10626-350M | 35 | 10 | 0.010 | 36.0 | 19.5 |
| 6026-290M | 29 | 4 | 0.020 | 21 | 11 | 10626-560M | 56 | 7 | 0.020 | 34.0 | 18.0 |
| 6026-350M | 35 | 3 | 0.026 | 20.5 | 10.5 | 10626-680M | 68 | 7 | 0.021 | 34.0 | 18.0 |
| 6026-580M | 58 | 2 | 0.061 | 20 | 10 | 10626-820M | 82 | 7 | 0.023 | 34.0 | 18.0 |
| 6026-900M | 90 | 3 | 0.044 | 20.5 | 12.5 | 10626-101M | 100 | 5 | 0.036 | 33.5 | 17.0 |
| 6026-111M | 110 | 2 | 0.069 | 19.5 | 10 | 10626-151M | 150 | 4 | 0.053 | 32.5 | 16.5 |
| 6026-131M | 130 | 1 | 0.146 | 19 | 9 | 10626-201M | 200 | 3 | 0.078 | 34.0 | 15.0 |
| 6026-471M | 470 | 1 | 0.286 | 21 | 11 | 10626-301M | 300 | 2 | 0.150 | 34.0 | 15.0 |
| 6826-250M | 25 | 5 | 0.016 | 24 | 10.5 | 10626-851M | 850 | 2 | 0.300 | 35.0 | 16.5 |
| 6826-430M | 43 | 3 | 0.030 | 23 | 9.5 | 13026-750M | 75 | 10 | 0.014 | 42.0 | 19.5 |
| 6826-650M | 65 | 2 | 0.055 | 22 | 9 | 13026-131M | 130 | 7 | 0.031 | 41.9 | 18.0 |
| 6826-111M | 110 | 4 | 0.042 | 23.5 | 11 | 13026-201M | 200 | 5 | 0.055 | 39.0 | 17.0 |
| 6826-131M | 130 | 3 | 0.055 | 23 | 10.5 | 13026-251M | 250 | 10 | 0.027 | 42.5 | 21.5 |
| 6826-151M | 150 | 1 | 0.159 | 21.5 | 7.5 | 13026-471M | 470 | 7 | 0.064 | 40.5 | 19.5 |
| 6826-231M | 230 | 2 | 0.108 | 22.5 | 9.5 | 13026-681M | 680 | 5 | 0.105 | 39.0 | 18.5 |

Test Freq :1KHz/0.3V K 10%, L 15%, M 20%, N 30%,U min

◆ We can design and manufacture customized part with specific requirement